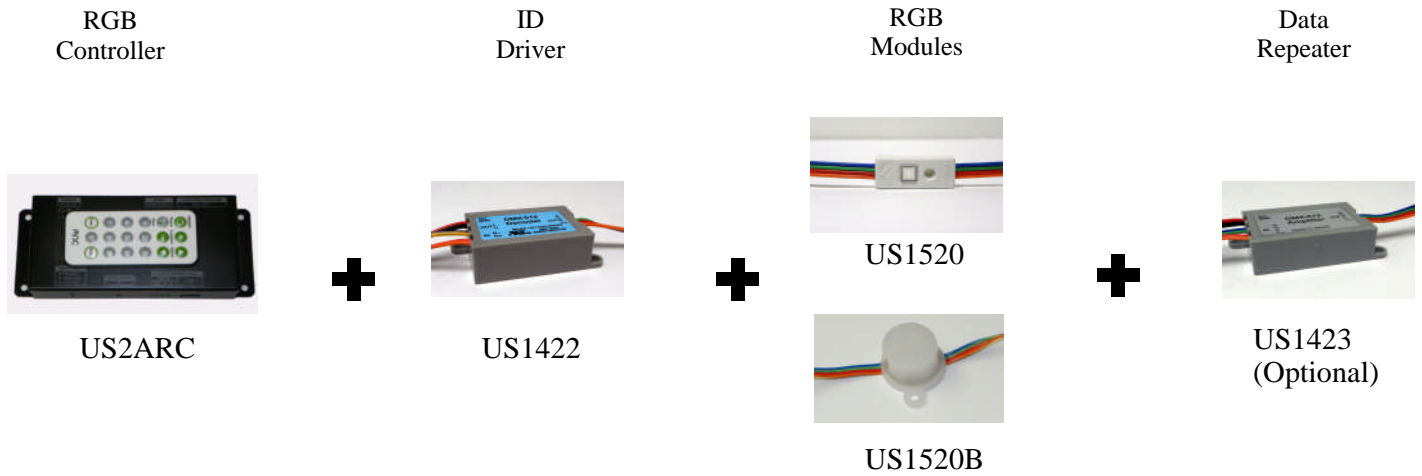


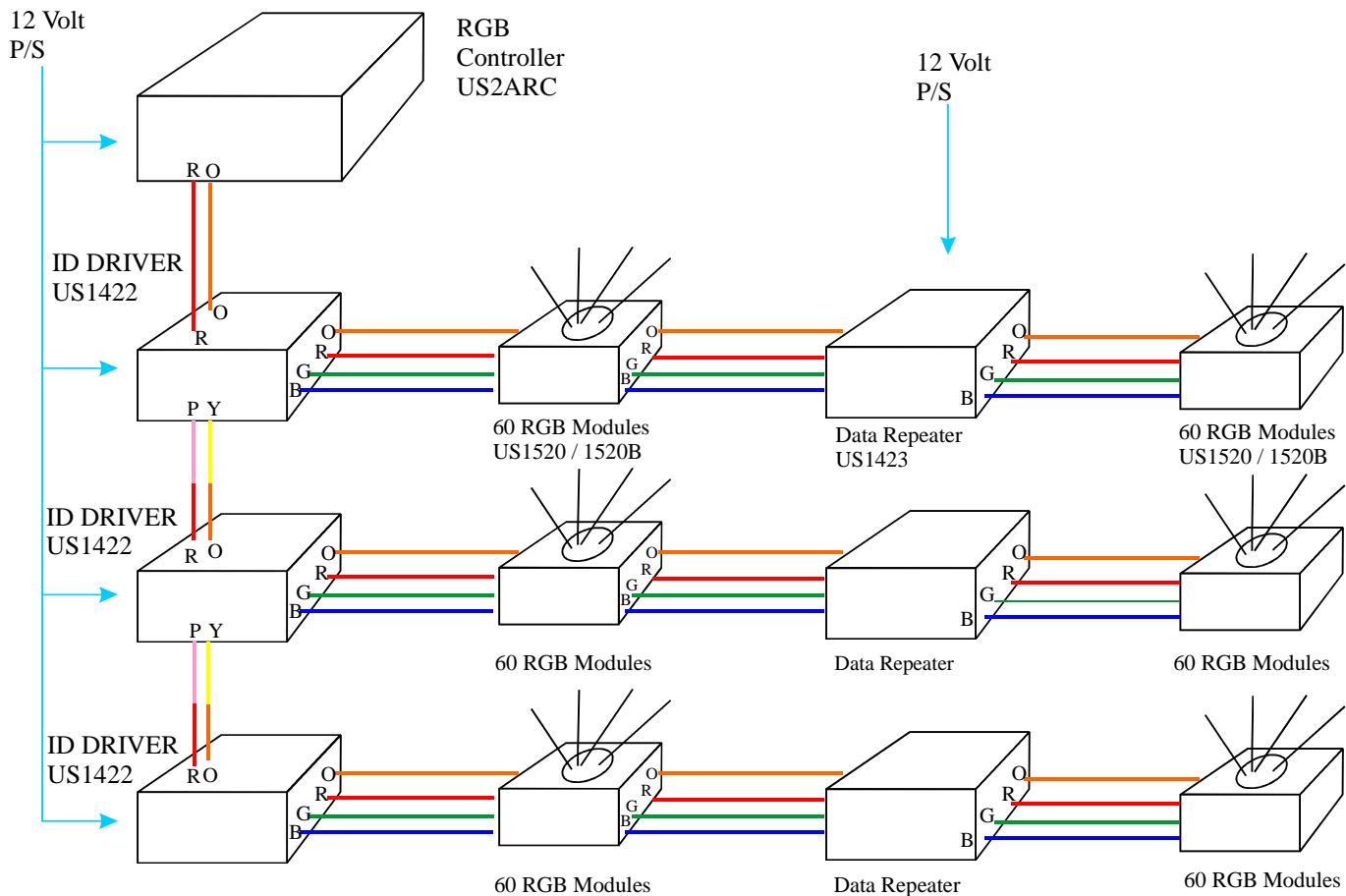
# JAZZ SERIES

Vibrant, Full Color RGB Systems

## JAZZ STANDARD RGB SYSTEM COMPONENTS



## SYSTEM CONFIGURATION



## SYSTEM FEATURES

RGB DMX controller US2ARC assigns and implements color changing effects on clusters of RGB modules. An ID Driver heads the cluster and drives up to 60 RGB modules. A data repeater is added to extend the data signal to another 60 RGB modules.

DMX controller US2ARC can assign addresses up to 170 ID drivers. It is custom-programmable and stores up to 40 programs. There are 16 pre-set programs, 16 custom-programmable programs, and 8 macro programs which combine preset/custom programs to show color changing effects. Program customization available upon request.

Remote key pad included.